



TECHNICAL DATA SHEET

ART. 470VP

Steel



DIMENSION

55mm

DESCRIPTION:

Gate Stopper for 2 Leafs-Gate To Be Screwed - Small Type

FINISHING:

Galvanized Steel

CATEGORY:

Swinging gates

MATERIAL:

Body: Steel (DD11)

Stopper for Gate leaves.

Suitable to be screwed.

The performances are intended for products correctly positioned, fixed, aligned and maintained in relation to the use, the positioning and the environmental conditions. The following factors can affect very much durability, performances and safety:

- The positioning and the alignment on an adequate support
- The correct mounting (screwing or welding) and regulation
- The regular lubrication, cleaning and maintenance (avoiding dirt, dust, rust, etc...)

I.B.F.M. suggest normal scheduled inspection, cleaning and maintenance of the products or eventually their substitution if damaged.

All the declared characteristics and performances refer to a product correctly installed by qualified personnel and regularly inspected, maintained and lubricated. I.B.F.M. declines any liability for even partial modifications to the product.

The company I.B.F.M. hereby declares that the above items are produced in Italy in conformity with the existing norms in force.

All pictures, technical drawings and related specifications are exclusive property of I.B.F.M. and they are defended by laws of copyright. Without the written agreement of I.B.F.M., all uses and reproductions will be legally prosecuted. I.B.F.M. reserve the right to make changes without notice and independently on product specifications and characteristics.



Signed for and on behalf of the manufacturer

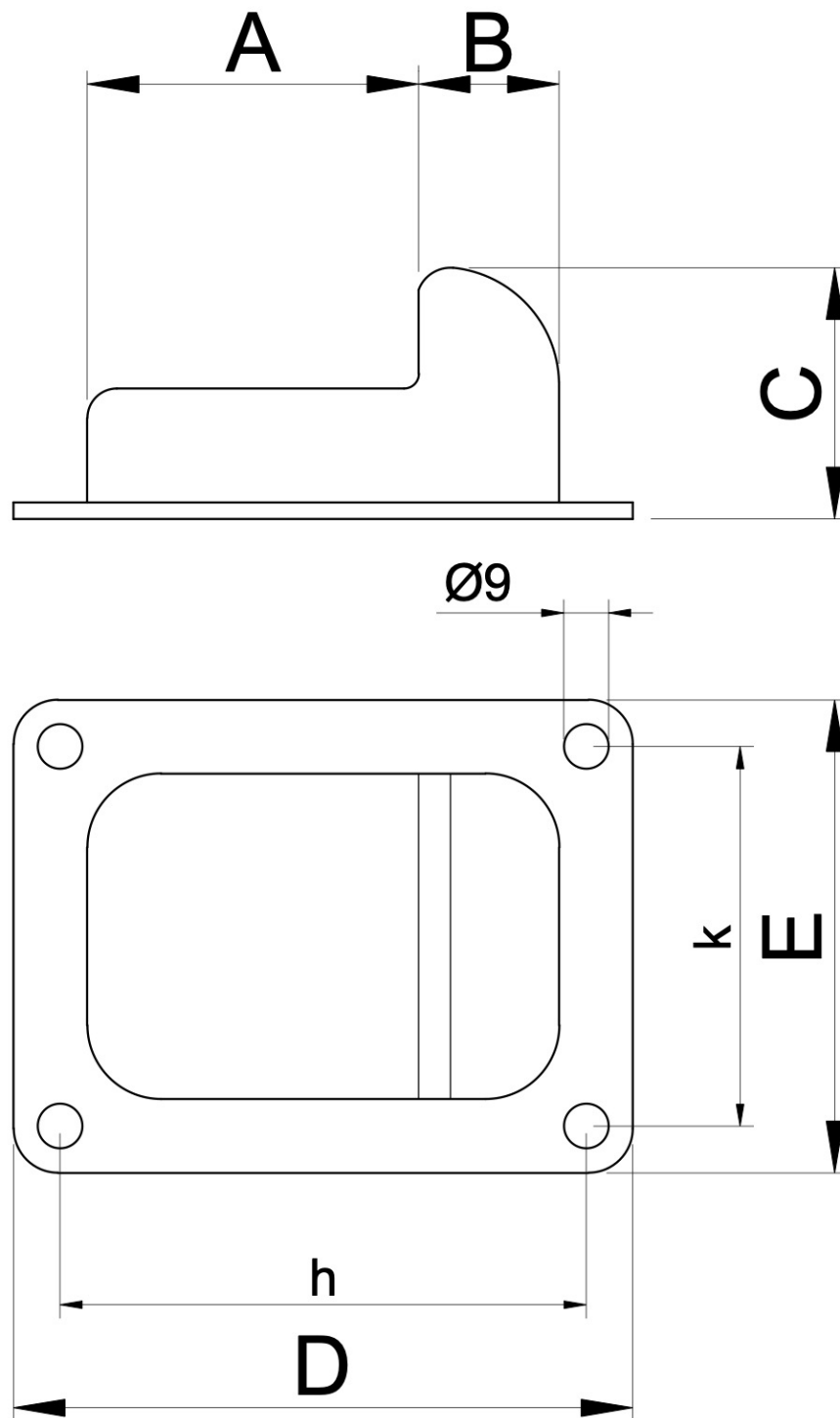
Desio, 02 maggio 2022




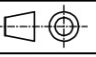
ISO 9001



Industria Briantea Ferramenta Minuterie
Desio (MB) ITALY - www.ibfm.it



	470V	470VP
A	85	55
B	45	35
C	50	42
D	160	120
E	140	100
h	130	95
k	110	75

ARTICOLO. 00470V-470VP		REV. 0002	
DESCRIZIONE Battente di arresto da avvitare per cancello a 2 ante		UNITÀ mm	
PERCORSO Disegni/Art.00470V-470VP/Art.00470V-470VP_0002.dwg		SCALA 1:1	20832 desio (MB) - Italy Via Lavoratori Autobianchi,1B +39-0362-627078/624502 Fax +39-0362-302692 ibfm@ibfm.it
DISEGNATORE D.F.	DATA 13/07/2017		
<small>Proprietà esclusiva di I.B.F.M. S.r.l. che si riserva tutti i diritti a termine di legge con divieto d'uso e riproduzione senza l'autorizzazione scritta da parte dell'azienda. I.B.F.M. S.r.l. si riserva il diritto di apportare modifiche senza preavviso e autonomamente. Exclusive property of I.B.F.M. S.r.l. which reserves all rights by law with the prohibition of use and reproduction without the written agreement of the company. I.B.F.M. S.r.l. reserves the right to make changes without any notification and independently.</small>			